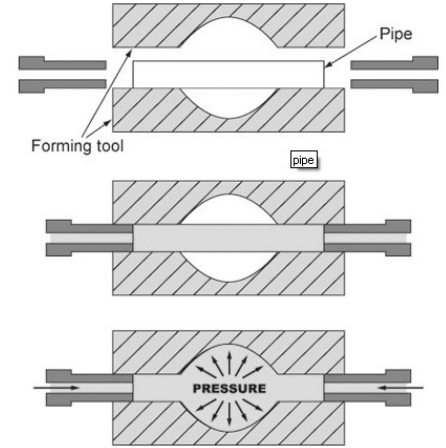




Tube Hydroforming

A tube is placed in a tool and filled with fluid. The pressure is increased until the pipe expands into the limitation of the tool.

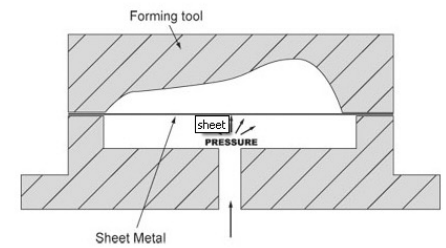
APPLICATIONS: Automotive structures, handles, furniture etc.



Sheet Hydroforming

A sheet of metal is placed on a tool and then high pressure fluid forces the sheet into the limitations of the tool.

APPLICATIONS: Car panels, furniture, etc.



Our capacity

Two metal sheets are laser welded together and then blown up like a balloon into the limitations of a tool.

APPLICATIONS: Containers, fuel and oil tanks etc

